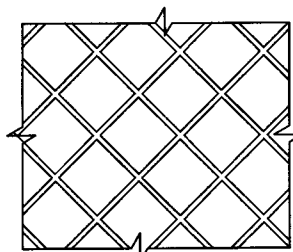
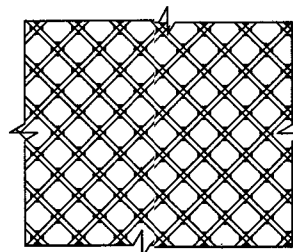


PAGE :- 191	DOOR SECTION JINDAL 21034	WIGHT 1.5 kg/m
PAGE :- 194	DOOR SECTION JINDAL 19658	WIGHT 1.031 kg/m

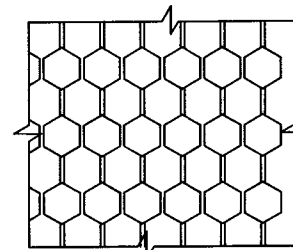
SECTION CODE	SIZE (OUT OF)	THICKNESS	WEIGHT KG/MT
DG 19377	17.15X17.27	1.50	0.175
DG 8	42.40X10.00	1.20	0.325
DG 544	12.70X12.70	1.25	0.119
DG 1362	30.00X38.00	2.00	0.435
DG 2496	39.40X17.70	1.20	0.431
DG 6002	91.00X43.00	1.50	0.903
DG 6003	91.00X19.50	1.50	0.627
-3102	50.80X25.40	0.85	1.600 TO 1.800
-19352	19.00X17.30	0.7	0.096



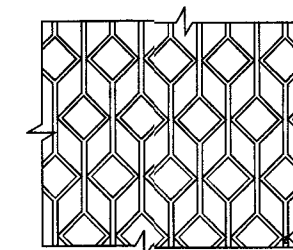
TYPE -A 2.507Kg/sqm (WITHOUT FRAME)



TYPE -D 2.625Kg/sqm (WITHOUT FRAME)

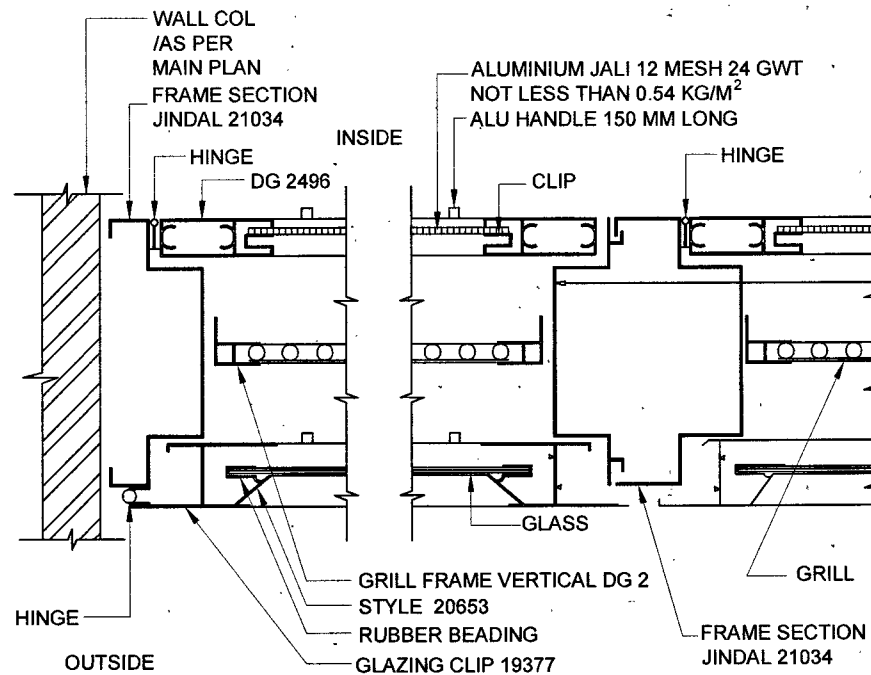


TYPE -B 3.13Kg/sqm (WITHOUT FRAME)

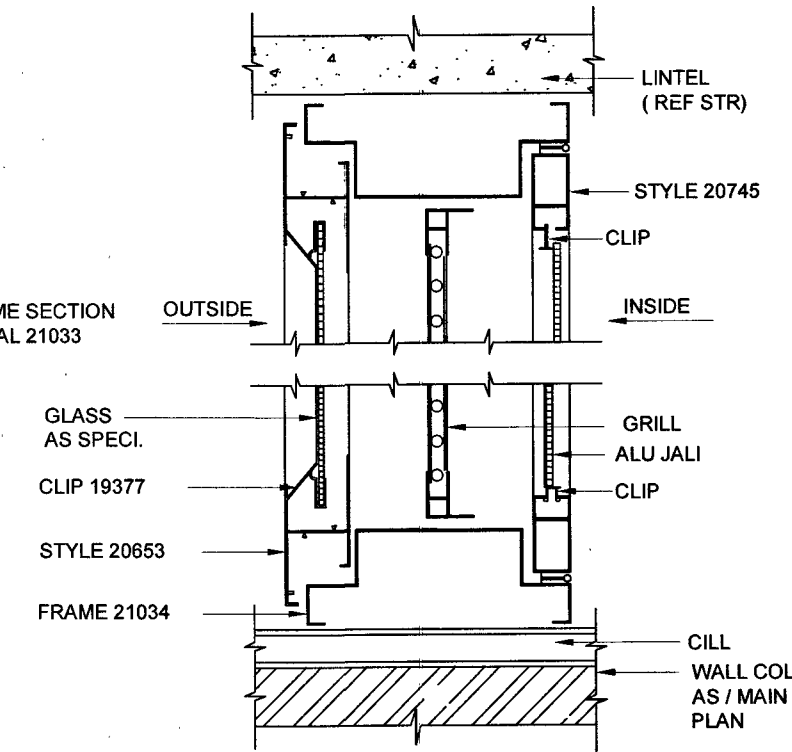


TYPE -C 3.766Kg/sqm (WITHOUT FRAME)

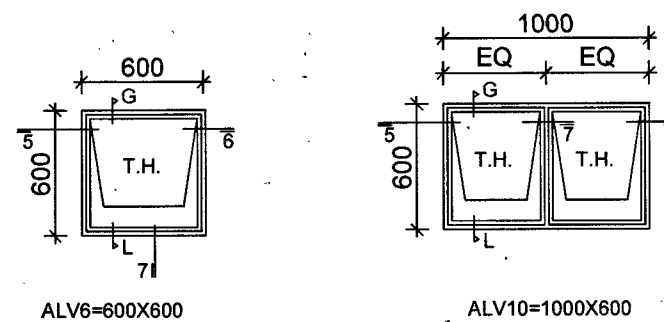
ALUMINIUM GRILL PATTERNS TYPE A,B,C,D



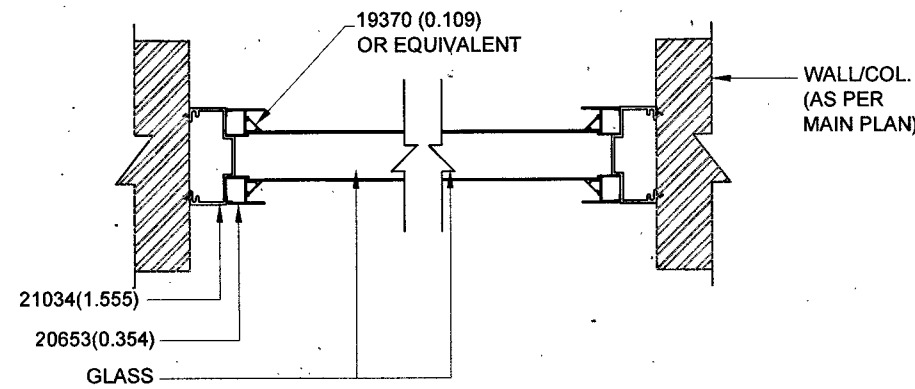
DETAIL AT 3 & 4 WITH MOSQUITO PROOFING



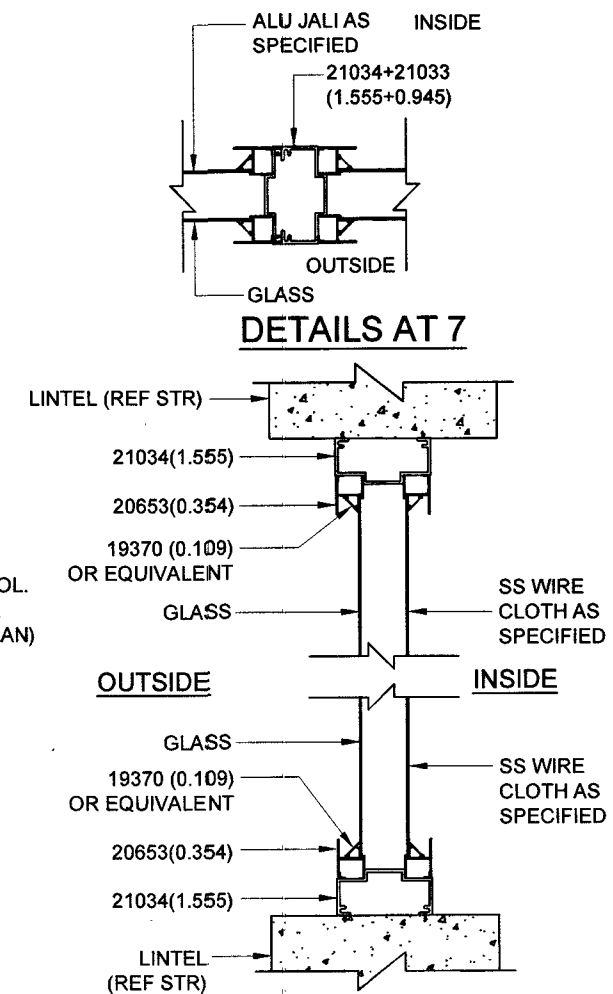
DETAIL AT C & D WITH MOSQUITO PROOFING



ELEVATION



DETAILS AT 5 & 6



DETAILS AT 7

SECTION G-L

- NOTES:**
- CONTRACTOR TO CHECK & VERIFY ALL DIMENSIONS BEFORE TAKING EXECUTION OF THE WORK.
 - FIGURED DIMENSIONS SHALL BE FOLLOWED.
 - ALL DIMENSION ARE GIVEN IN MILLIMETERS UNLESS OTHERWISE STATED.
 - THE ALUMINIUM SECTIONS SHALL BE ANODISED IN NATURAL MATT FINISH, THE THICKNESS OF ANODIC FILM SHALL BE MINIMUM 15 MICRONS.
 - ALL EXTERNAL WINDOWS SHALLBE PROVIDED WITH ALUMINIUM GRILL.
 - THE ALUMINIUM GRILL PATTERN ARE TAKEN FROM DECOGRILLE MAKE.
 - ALL FITTINGS AND FIXTURES (HINGES, STAY & HANDLES EXC.) SHALL BE PROVIDED AS PER MANUFACTURING INSTRUCTIONS.
 - RUBBER GASKET SHALL BE PROVIDED TO WINDOWS IN ALL A/C ROOMS.
 - SH. DENOTES SIDE HUNG.
 - 'M' INDICATES MOSQUITO PROOFING SHUTTER.
 - FIXING DETAILS OF LOUVERS SHALL BE AS PER MANUFACTURES INSTRUCTIONS.
 - FIXING DETAILS OF LOUVERS SHOWN IN THIS DRG. ARE TAKEN FROM CATALOGUE AJIT INDIA PVT LTD.

ARCH DRAWINGS PREPARED UNDER CONSULTANCY BY M/S THE DESIGN FACTORY, 293, CHHOTI BARANDARI PART-1 JALANDHAR, PUNJAB. THE SAME ARE SIGNED BY US AS PER E-IN-C'S BRANCH POLICY LETTER NO.08/2017 ISSUED UNDER E2 WORKS (PPC) SUB DTE, DTE OF WORKS, LETTER NO. A/00157/23-1/POL/E2W(PPC) DATED 02 JULY 2017

SL NO	DATE	DESCRIPTION	INITIAL
REVISION			

DETAILS OF ALUMINIUM WINDOW & VENTILATOR

DATE	13/03/2025	CHIEF ENGINEER JALANDHAR ZONE	SHEET NO 03
DRAWN			
CHKD			

SCALE AS SHOWN DRG NO : CEJZ / TD-96 / 2025
CONSULTANTS:

[Signature]
293 CHHOTI BARANDARI
PART 1 - JALANDHAR
+91 9876602949
thedesignfactory7@gmail.com

[Signature]
DIRECTOR (ARCH)
for CHIEF ENGINEER
AAD (ARCH)